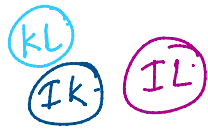


IJKL
 ABCDEFGHIJKL MNOPQRST.

Q1. In the word 'BRISKLY', how many pairs of the letters have the same number of letters between them in the word as in alphabet?

- (a) Four
- (b) Two
- (c) One
- (d) Three
- (e) More than four

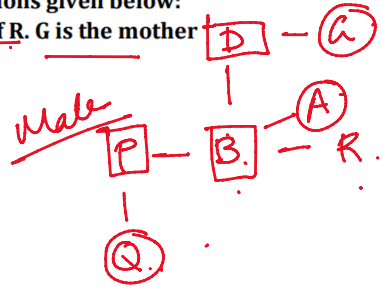
BRISKLY



Direction (2-4): Study the following information carefully and answer the questions given below: Seven members are living in the family. Q is the daughter of P. B is the brother of R. G is the mother in law of A. B is married with A. B is the uncle of Q. D is the father of B.

Q2. What is the relation of B with respect to P?

- (a) Brother
- (b) Sister in law
- (c) Brother in law
- (d) Mother
- (e) Aunt



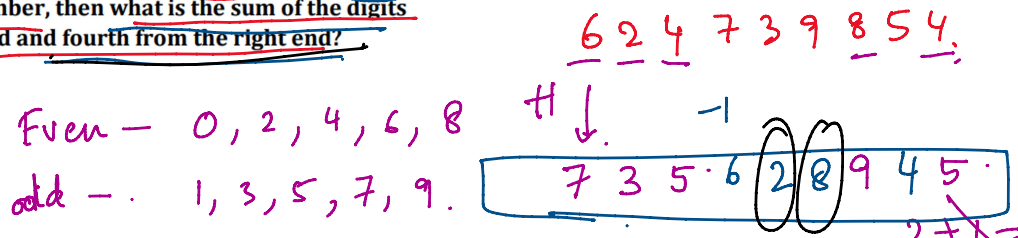
Q4. If P is the father of Q, then what is the relation of R with respect to P?

- (a) Wife
- (b) Husband
- (c) Father
- (d) Father in law
- (e) Mother

P is male

Q5. If "624739854" 1 is added to all the even number and 1 is subtract from all the odd number, then what is the sum of the digits which is fifth from the left end and fourth from the right end?

- (a) 12
- (b) 9
- (c) 11
- (d) 10
- (e) None of these

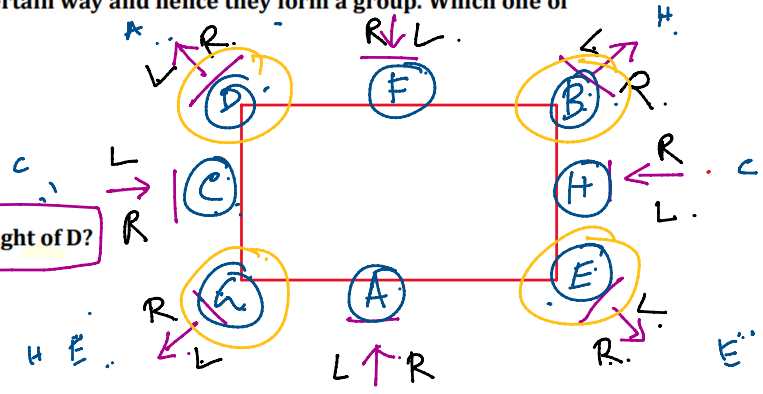


Direction (6-10): Study the following information carefully and answer the questions given below: Eight persons A, B, C, D, E, F, G and H are sitting around a rectangular table in such a way that four persons sit on each of the four corner of the table and other four persons sit on the middle of each side. The one who sits at the corner of table faces outside the center of table and the one who sits at the middle side of table faces towards the center of table. Persons sitting on opposite sides are exactly opposite to each other.

F sits at one of the middle side of the table. Two persons sit between F and E. Only one person sits between F and C. E does not sit near to C. Either A sits 2nd to the left of H or 2nd right of H. One person sits between A and G. B and G sit opposite to each other. D sits 2nd to the left of B. G doesn't sit next to F.

Q6. Four of the following five are alike in a certain way and hence they form a group. Which one of the following does not belong to that group?

- (a) E
- (b) G
- (c) D
- (d) H
- (e) B



Q7. Who among the following sits 3rd to the right of D?

- (a) E
- (b) H
- (c) C
- (d) A
- (e) G

Q9. How many persons sit between D and F when counted to the right of D?

- (a) One
- (b) None
- (c) Two
- (d) Three
- (e) Four

Q10. Who among the following faces to C?

- (a) H
- (b) B
- (c) G
- (d) E
- (e) None of these

Direction (11-15): Study the following information carefully and answer the questions given below:
 Ten persons L, M, N, O, P, Q, R, S, T, and U were born on two different dates 15 and 30 of five different months viz. January, March, April, September and November but not necessarily in the same order.
 L was born on 15th of the month which has 31 days. Three persons were born between L and P. Four persons were born between P and Q. O was born before L. The number of persons were born after O is same as the number of persons born before N. One person was born between P and R. M was born before T but not in the month of January. U was born before P. U was born before S on same date.

How many persons are born after O? 8

Q11. How many persons were born after U?

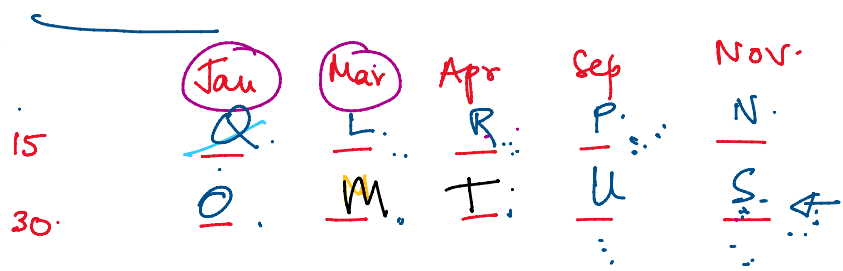
- (a) None
- (b) Four
- (c) More than five
- (d) Two
- (e) Five

Q12. Four of the following five are alike in a certain way and hence they form a group. Which one of the following does not belong to that group?

- (a) Q-L
- (b) R-P
- (c) O-S
- (d) P-N
- (e) M-O

Q14. The number of persons were born after P is same as the number of persons born before ___?

- (a) M
- (b) R
- (c) Q
- (d) U
- (e) None of these



Q15. Which of the following is odd one?

- (a) Q
- (b) L
- (c) R
- (d) P
- (e) S

Direction (16-20): In each of the questions below are given some statements followed by two conclusions. You have to take the given statements to be true even if they seem to be at variance with commonly known facts. Read all the conclusions and then decide which of the given conclusions logically follows from the given statements disregarding commonly known facts.

- (a) If only conclusion I follows.
- (b) If only conclusion II follows.
- (c) If either conclusion I or II follows.
- (d) If neither conclusion I nor II follows.
- (e) If both conclusions I and II follow.

Q16. Statements: $A > M > R = F \geq Z < X < C < V > B > N$

Conclusion:

I: $A \geq Z$

II: $Z < V$

Q17. Statements: $Z < X < C \leq V; B > C < G < H \leq J$

Conclusion:

I: $Z < G$

II: $X < J$

Q18. Statements: $Q \geq W \geq E \geq R < T < Y \leq U \leq I$

Conclusion

I: $Q \geq T$

II: $R \leq I$

Direction (21-25): Study the following information carefully and answer the questions given below

In a certain code language:

“Never talk between others” is coded as “sm nt ro fi”

“Others should be helpful” is coded as “ro el ac jq”

“Never be time specific” is coded as “fi dg el pa”

“Focus between specific hours” is coded as “hy dg nt ks”

Q21. What is the code for “Never together” in the given code language?

- (a) nt ro
- (b) ro fi
- (c) fi uy
- (d) jq nt
- (e) None of these

Q22. What is the code for “specific” in the given code language?

- (a) dg
- (b) ac
- (c) jq
- (d) fi
- (e) None of these

Q23. What is the code for “Others” in the given code language?

- (a) sm
- (b) ro
- (c) el
- (d) pa
- (e) None of these

Q24. The code “el” is coded as which of the following word?

- (a) never
- (b) time
- (c) focus
- (d) be
- (e) None of these



Direction (26-29): Study the following information carefully and answer the questions given below:

Six persons are sitting in a row facing to the north and they have different ages but not necessarily in the same order. C sits 3rd from one of the end. The one who is 12 year old sits 2nd to the right of C. The number of persons sit right of the one who 12 year old is same as the number of persons sit to the left of D. O sits 2nd to the right of the one who is 6 year old. Two persons sit between D and B,

whose age is twice than D. N sits to the right of P. The one who 36 year old sits 3rd to the left of the one who 15 year old. The age of O is 18 year.

Q26. If P is 3 year older than C, then which of the following is the age of P?

- (a) 39 Years
- (b) 33 Years
- (c) 21 Years
- (d) 9 Years
- (e) None of these

Q27. What is the total age of C and B?

- (a) 44
- (b) 48
- (c) 18
- (d) 42
- (e) 27

Q28. How many persons sit between P and D?

- (a) More than three
- (b) None
- (c) Two
- (d) One
- (e) None of these

Q29. Who among the following sits at the extreme end of the row?

- (a) C
- (b) B
- (c) N
- (d) O
- (e) D

Q35. In the given word 'SPLENDOR', in which consonant changed into its previous letter and the vowel into its next letter (according to the alphabetical order) and then all letters are arranged in alphabetical order from left to right then which of the following letter is fifth from the left end?

- (a) R
- (b) O
- (c) K
- (d) M
- (e) C

Directions (36-40):- Given table shows the data of population in 5 different parks. Study the data carefully and answer the questions.

Parks	Total Population	Female population
A	400	150
B	500	200
C	700	350
D	800	450
E	900	500

(Total population = Male population + Female population)

Q36. If 20% of total population did not visit on a particular day in park A of which male population was 60% then what percent of total population in park B is male population who visited in park A?

- (a) 45%
- (b) 40.4%
- (c) 39.2%
- (d) 48.6%
- (e) None of these

Q38. By what percent female population in park D is more or less than the male population in park E?

- (a) 15%
- (b) 9.09%
- (c) 11.11%
- (d) 14.28%
- (e) 12.5%

Q39. What is ratio of male population in park A & D together to female population in park B & E together?

- (a) 6 : 7
- (b) 1 : 1
- (c) 7 : 6
- (d) 5 : 6
- (e) 5 : 7

Q40. If 30 females from each park are above 80 years age then find the average of no. of females who are below or equal to the age of 80 years from all the parks.

- (a) 295
- (b) 285
- (c) 300
- (d) 280
- (e) 290

Q41. The ratio of ages of A and B 4 years ago was 5 : 3. The sum of present ages of A, B and C is 80 years. If present age of C is equal to sum of present ages of A and B. find the present age of A.

- (a) 17 years
- (b) 24 years
- (c) 20 years
- (d) 22 years
- (e) 18 years

Q42. The ratio of speed of boat in still water to speed of stream is 8 : 1. It takes 4 hours by boat to cover 54 km in downstream & 42 km in upstream. Find the downstream speed of boat.

- (a) 25 kmph
- (b) 24 kmph
- (c) 21 kmph
- (d) 27 kmph
- (e) 23 kmph

Q44. the length & breadth of a rectangle is in ratio 4 : 7. If perimeter is 88 cm. find area of rectangle.

- (a) 414 cm^2
- (b) 336 cm^2
- (c) 448 cm^2
- (d) 524 cm^2
- (e) 396 cm^2

Q45. the radius of a circle is 14 cm. what is area of another circle having radius 1.5 times the actual circle?

- (a) 1296 cm^2
- (b) 1386 cm^2
- (c) 1352 cm^2
- (d) 1485 cm^2
- (e) 1276 cm^2

Directions (46-50): In the following two equations questions numbered (I) and (II) are given. You have to solve both equations and Give answer

- (a) If $x > y$
- (b) If $x \geq y$
- (c) If $y > x$
- (d) If $y \geq x$
- (e) If $x = y$ or no relation can be established

Q46.

I. $x^2 - 7x + 12 = 0$

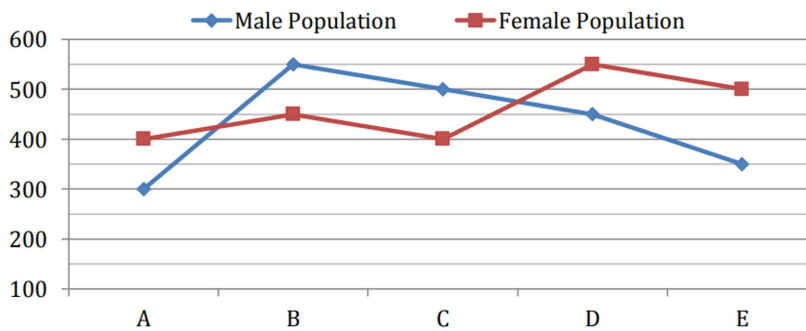
II. $y^2 - 8y + 12 = 0$

Q47.

I. $2x^2 + x - 28 = 0$

II. $2y^2 - 23y + 56 = 0$

Directions (51-55):- Given line graph shows the data of male & female population in 5 different cities. Read the data carefully and answer the questions.



(Total population = Male population + Female population)

Q51. By what percent total population of city A is more or less than that of city D?

- (a) 45%
- (b) 35%
- (c) 70%
- (d) 30%
- (e) 60%

Q52. If in city A, the ratio of male graduates to female graduates is 3 : 4 and total graduates in the city are 70% of total population. Find population of females who are not graduate.

- (a) 120
- (b) 50
- (c) 90
- (d) 70
- (e) 135

Q53. What is average of male population in all cities?

- (a) 465
- (b) 455
- (c) 440
- (d) 460
- (e) 430

Q56. X liters of milk is taken out and replaced with water from a container having 240 liters milk. Now, 20% of the mixture is taken out and replaced with water. In final mixture, the difference in quantity of milk & water is 128 liters. Find X.

- (a) 12
- (b) 10
- (c) 9
- (d) 11
- (e) 8